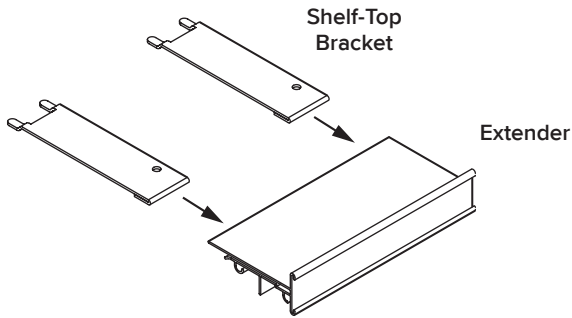
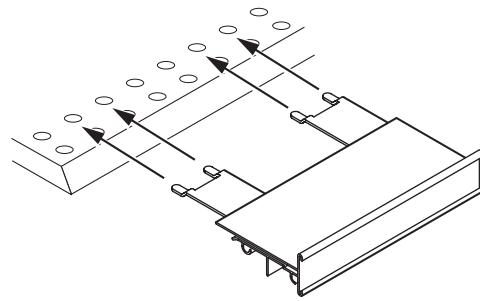


Shelf-Top Mount

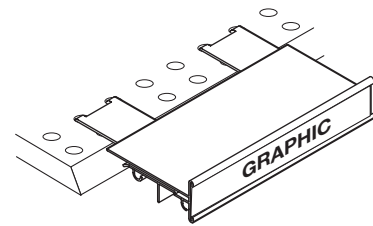
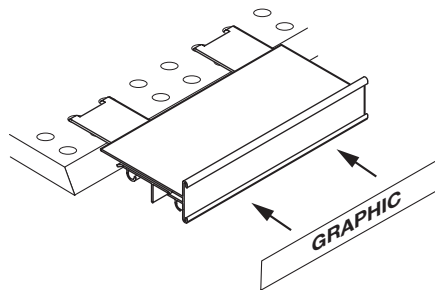


- ① Insert bracket extenders all the way into the back of extender.
NOTE: It is recommended to use one additional shelf-top bracket for every 3" of additional length over 6".



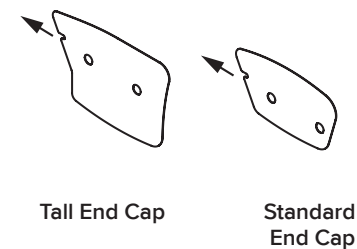
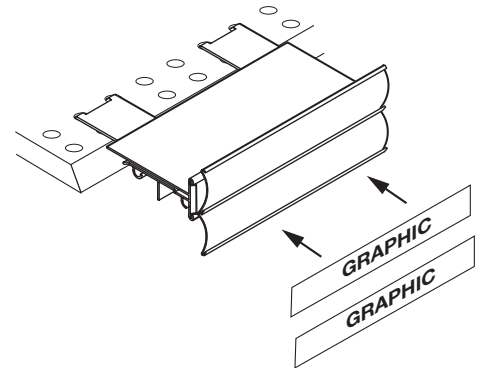
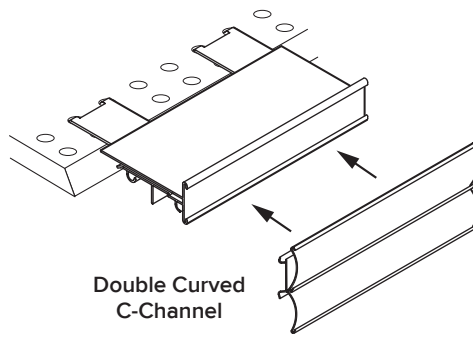
- ② Insert bracket tabs into shelf holes.

- ③ Insert graphic into c-channel.

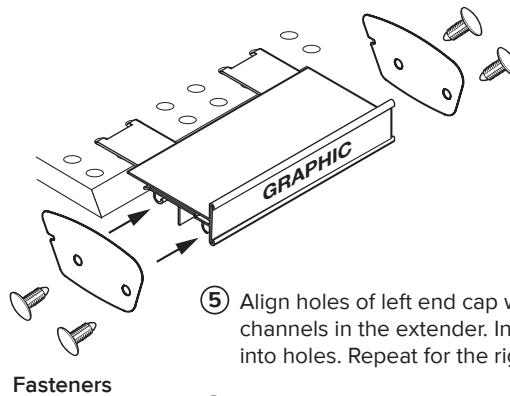


OR

- ③A Insert optional Double Curved Channel into extender c-channel. Insert graphics into c-channels.

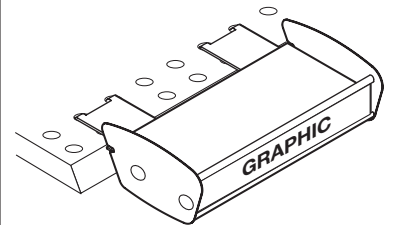


- ④ Position end cap with notch facing toward the back.



- ⑤ Align holes of left end cap with rounded channels in the extender. Insert fasteners into holes. Repeat for the right end cap.

- ⑤A Use the Tall End Cap kit for applications with the Double Curved C-Channel.



- ⑥ Installation is complete.

20190311